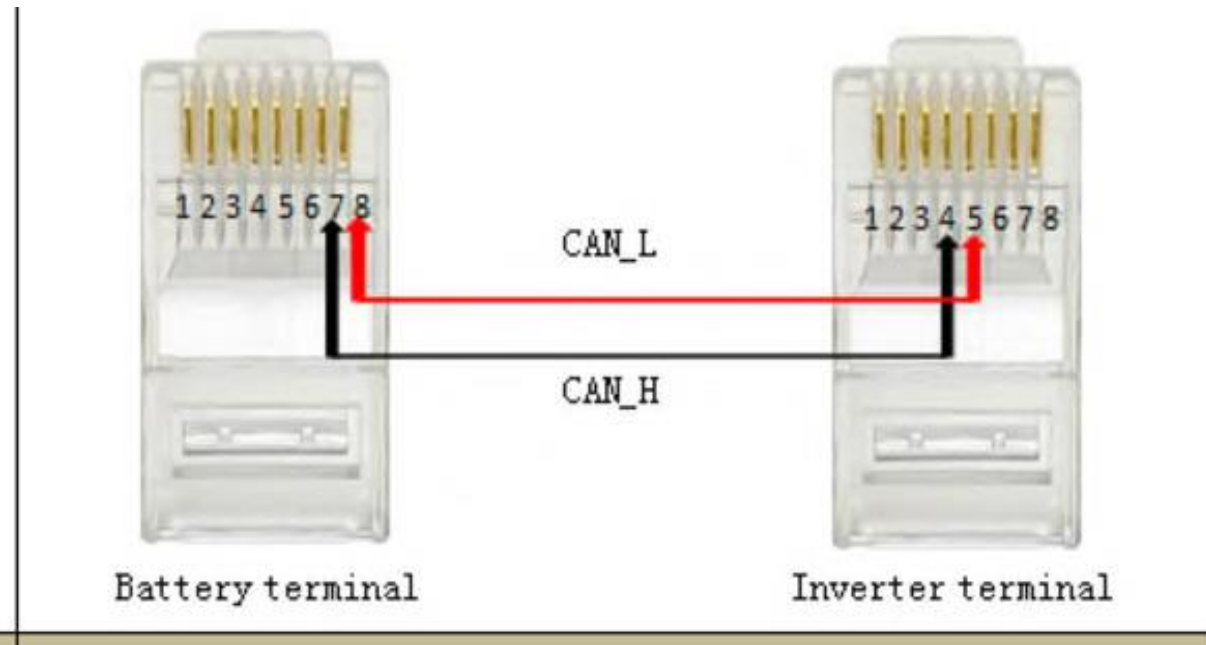


Midnite AIO to Homegrid communication

Stack'd series

For communication with homegrid BMS select pylon on AIO
On the homegrid batt, set inverter SET dip switch to 1,3,4 on
As shown on right and the Addr.SET to 1 on.



Cat cable needs to be pin7,8 on battery and 4,5 on inverter
And connected to the BMS port on the MN AIO.
ON the battery connect to the CAN port.

